



ZY8800A, ZY8800B LED Lamp

LED

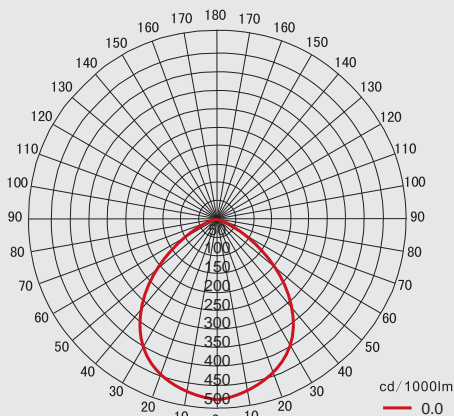
IP66

-40 °C

+50 °C



Light distribution curve



Application

This product is applicable to flood lighting in warehouses, trenches, tunnels and some other public places.

Characteristics

- It adopts American CREE LED as light source, can save 60% or more on energy than the metal halide lamp.
- The light source service life can reach 100,000 hours. Low maintenance.
- World famous brand Electronic Component, provide with more stable performance and high efficient.
- The unit has perfect electromagnetic compatibility feature, can avoid the interference caused to the other device and electric power transmission network.
- Light weight aluminum alloy with latest spray coating treatment. Anti rust, corrosion resistant and waterproof.
- The transparent part is made of the imported PC materials. It enjoys a higher light transmission, and can endure impact. Ideal for all kinds of harsh environment.
- 18~43VAC or 18~55VDC is optional as customers' requirement.

Main parameter

Specification	Unit	ZY8800A	ZY8800B
Input voltage	V	AC90~264	
Frequency	Hz	50 / 60	
Output voltage	V	DC14	
Light power	W	12	6
Luminous flux	lm	1,144	680
High space ratio		2	
Service life	h	100,000	
Size	mm	180 × 130 × 66	
Net weight	Kg	1	

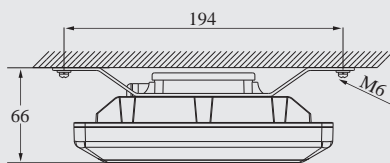
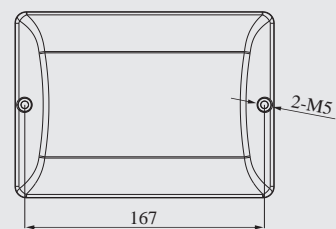
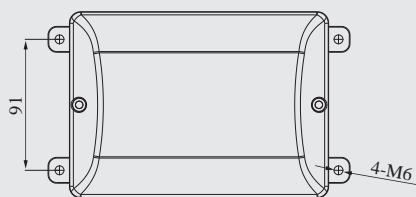
ZY8800A, ZY8800B LED Lamp



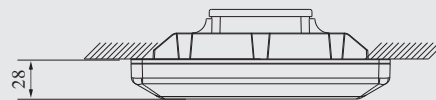
Ordering reference

Ordering Reference	Light Source	Rated wattage (W)	Light output (lm)	Equivalent to	
				Fluorescent lamp	Energy Saving Lamp
ZY8800A	LED	12	1,144	36W	28W
ZY8800B	LED	6	680	18W	18W

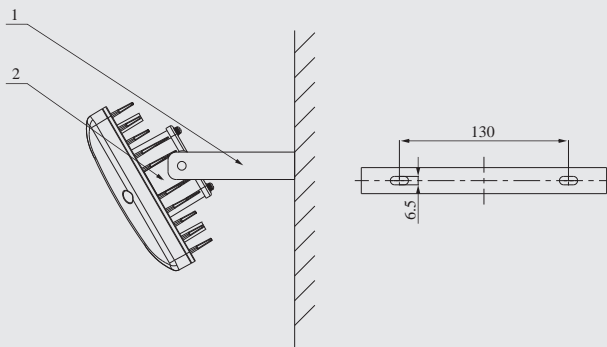
Drawing of dimension (Dimensions in mm)



Ceiling mounting (Standard)



Embedded mounting



Side wall-mounting (optional)

Accessories list (optional)

Number	Name	Quantity
1	Mounting bracket	1
2	Positioning plate	2