



ZY8302 Series LED Spotlight

LED

IP66

-40 °C

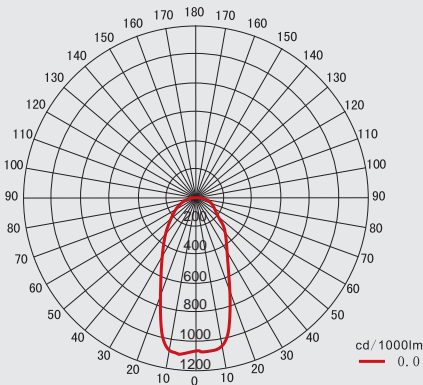
+50 °C



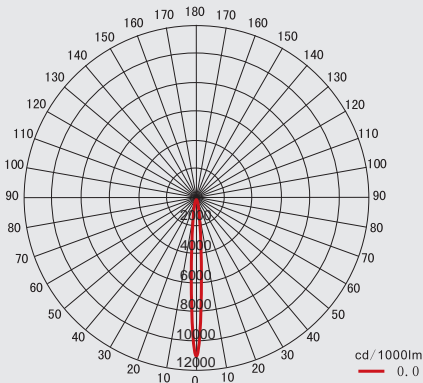
Spot (Standard)

Flood

Light distribution curve



Flood



Spot

Application

It can be used as spotlight in factory, construction site and some other indoor or outdoor places.

Characteristics

- It efficiently utilize the light to 95%.Glare free, have a good performance of illuminance uniformity. Operator can choose the beam angle according to the application.
- It adopts American CREE LED as light source, can save 60% or more on energy than the metal halide lamp
- The light source is separated from the electrical appliance. This split style with the high efficiency radiator have solved the heating-up problem so that ensure the 100,000 hours LED lifespan.
- Equipped with world top ranking brand, Taiwan Meanwell electrical appliance with power factor 0.98, make the lamp's performance more stable and efficient
- The locking device on the bracket will keep the lamp from shift or trembling during harsh vibration.
- The housing adopts high-tech surface spraying technology, abrasion resistance corrosion, waterproof, dustproof, suitable to be used at all kinds of environments.
- Quick opening lid, easy to maintain.
- Floodlight beam angle is available according to customers' requirement.

Main specification

Input Voltage	90~305VAC / 127~431VDC
Output Voltage	54VDC
Frequency	50Hz / 60Hz
Ingress Protection	IP66
Anti Corrosion Grade	WF2
Insulation Grade	I
Space Height Ratio	1.8
Thread	G3/4"
Leading-in cable diameter	10mm - 12mm
Dimension	380 × 270mm
Net Weight	8Kg

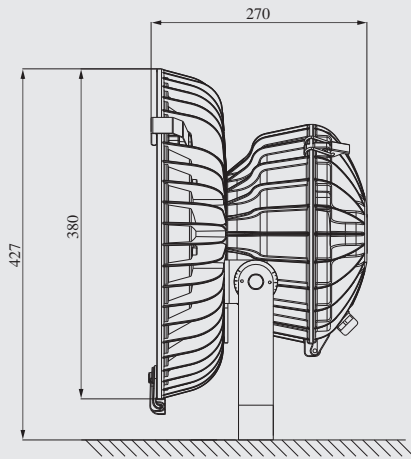
ZY8302 Series LED Spotlight



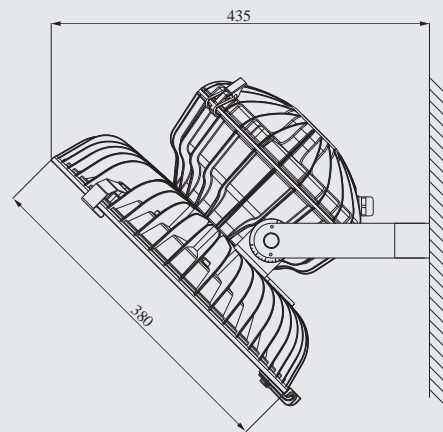
Ordering reference

Ordering Reference	Light Source	Rated wattage (W)	Light output (lm)	Equivalent to		
				Metal Halide Lamp	Electrode Less Lamp	Mercury lamp
ZY8302-L60	LED	60	8,194	150W	135W	175W
ZY8302-L80	LED	80	10,016	175~250W	165W	250W
ZY8302-L100	LED	100	11,568	250W	200W	250~400W
ZY8302-L120	LED	120	13,310	250~400W	250W	400W

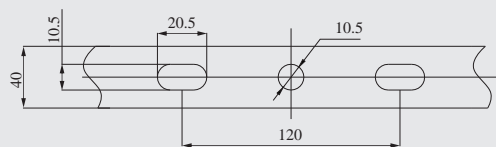
Drawing of dimension (Dimensions in mm)



Seat-mounting



Side wall-mounting



Mounting hole drawing



Av. Ho Chi Min nº 1960 | Maputo - Mozambique
 (+258) 82 5935791 – (+258) 82 7340017 – (+258) 84 0489712
 mpequipamentos@gmail.com | www.mpequipamentos.co.mz
 NUIT: 400385157